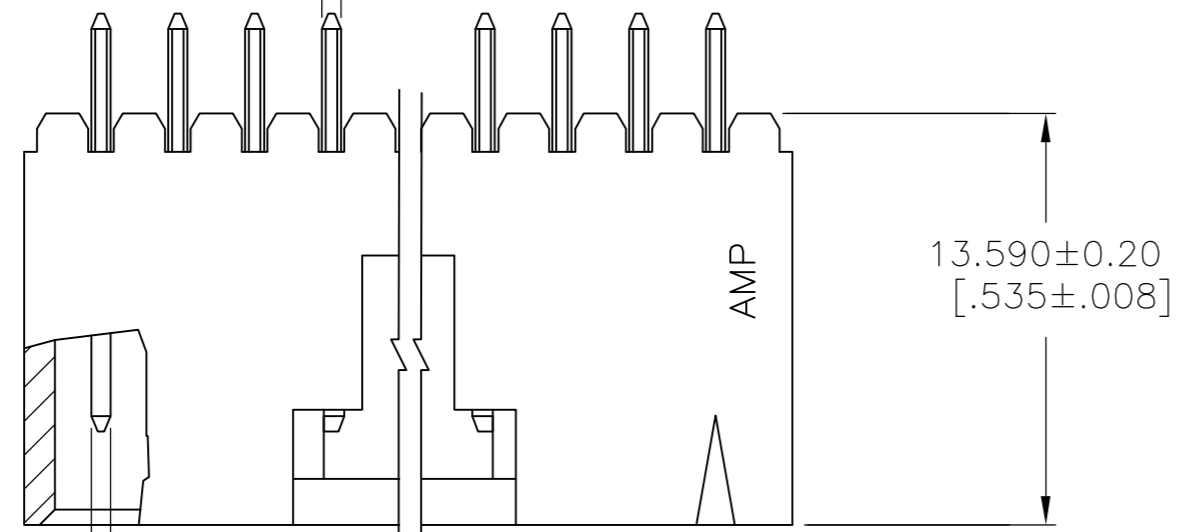


THIS DRAWING IS UNPUBLISHED. RELEASED FOR PUBLICATION
 © COPYRIGHT BY TYCO ELECTRONICS CORPORATION. ALL RIGHTS RESERVED.

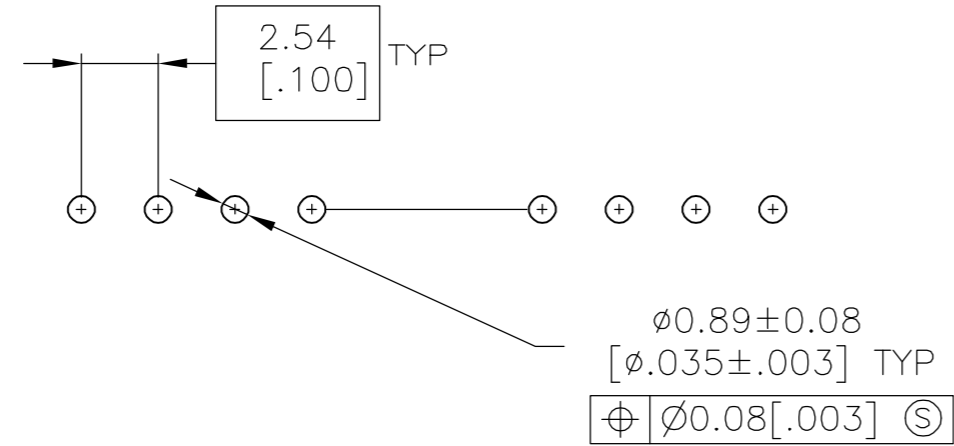
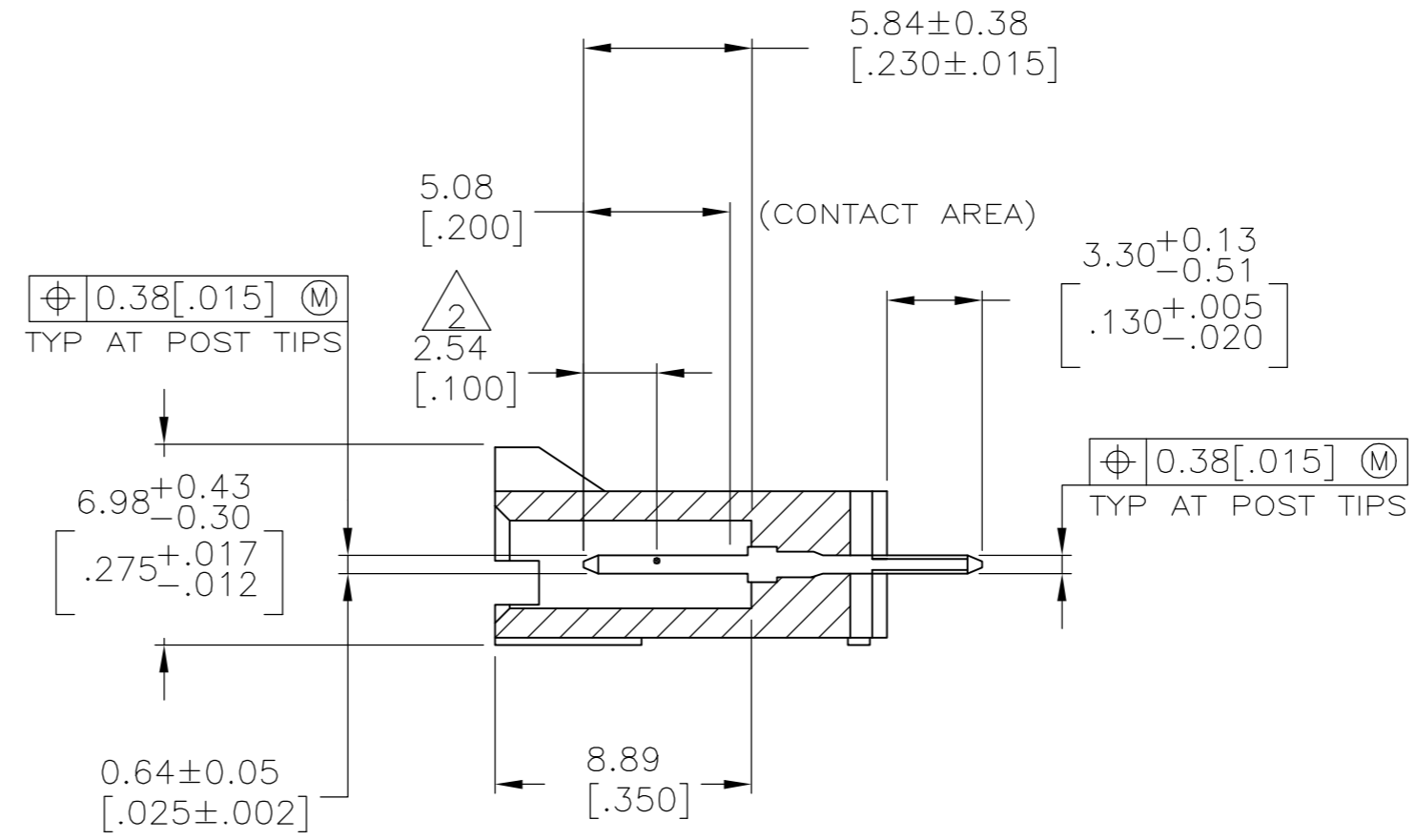
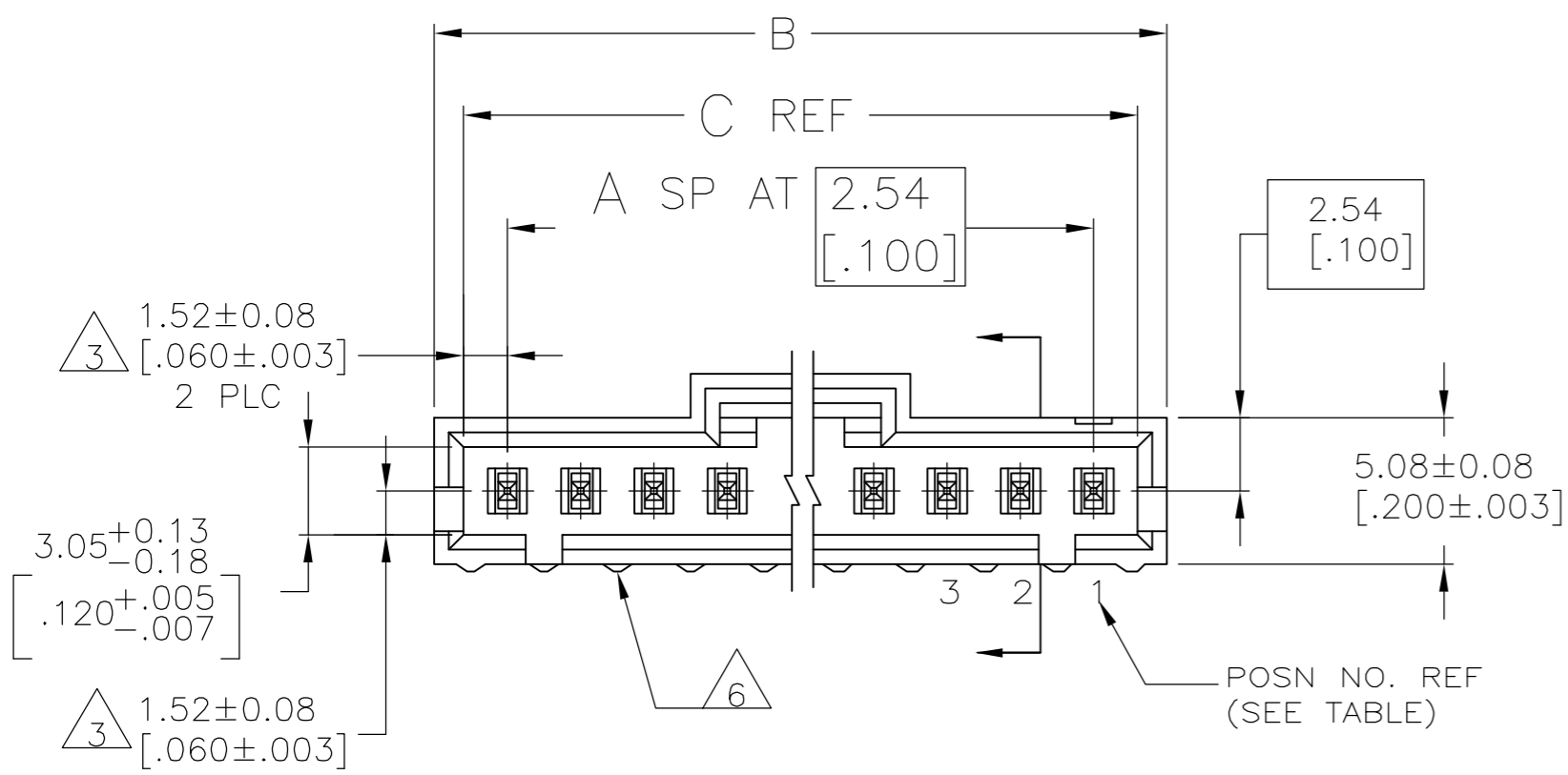
| LOC | DIST | REVISIONS | | | |
|-----|------|-------------|-----------------|---------|---------|
| P | LTR | DESCRIPTION | DATE | DWN | APVD |
| AD | 00 | F | EC 0G3C 0786 04 | 29JAN05 | BSV JLG |

$\phi 0.38[.015]$ (M)
TYP AT POST TIPS



0.64±0.02 [0.025±.001]
 $\phi 0.38[.015]$ (M)
TYP AT POST TIPS

- 1 .00076[.000030] GOLD IN THE CONTACT AREA, .00254[.000100] - .00508[.000200] MATTE TIN-LEAD ON THE SOLDER TAIL, ALL OVER .00127[.000050] NICKEL.
- 2 POINT OF MEASUREMENT FOR PLATING THICKNESS.
- 3 THE NOTED DIMENSIONS APPLY AT THE INTERSECTION OF THE POST AND THE HOUSING.
- 4 .00076[.000030] GOLD IN THE CONTACT AREA, .00254[.000100] - .00508[.000200] MATTE TIN ON THE SOLDER TAIL, ALL OVER .00127[.000050] NICKEL.
- 5 HIGH TEMPERATURE CONFIGURATION.
- 6 STANDOFF NOT PRESENT ON UNDERSIDE OF ASSEMBLY



RECOMMENDED HOLE LAYOUT

| REMARKS | PLATING | POST NUMBER OMITTED | C | B | A | NO. OF POSN | PART NO. | |
|---------|---------|---------------------|--------------------|---------------|---------------|-------------|----------|------------|
| | 6 5 | 4 | 2,3,5,6,9,10,13,14 | 41.15 [1.620] | 43.18 [1.700] | 15 | 16 | 5-104912-2 |
| | 6 5 | 4 | 2, 4, 6, 8, 10 | 28.45 [1.120] | 30.48 [1.200] | 10 | 11 | 5-104912-1 |
| | | 1 | 2,3,5,6,9,10,13,14 | 41.15 [1.620] | 43.18 [1.700] | 15 | 16 | 104912-2 |
| | | 1 | 2, 4, 6, 8, 10 | 28.45 [1.120] | 30.48 [1.200] | 10 | 11 | 104912-1 |

THIS DRAWING IS A CONTROLLED DOCUMENT.

| | | | | | | | | | | | | | | | | | | | | | | | | | | | | | | | | | |
|--|--|-------------------------|---|-------|-----|-------|--------------|-------|-----|-------|-----|--------|-----|--------|-----------|---|-----------------------|------------------------|------------------------|----------------------------|----------|---|------|----------------------------|--|--|------|----|-----------|-------|------------|----------|---------------|
| DIMENSIONS: mm [INCHES] | TOLERANCES UNLESS OTHERWISE SPECIFIED: | DWN E.BRANDBERG 20-7-94 | Tyco Electronics Corporation Harrisburg, Pa 17105-3608 | | | | | | | | | | | | | | | | | | | | | | | | | | | | | | |
| <table border="1"> <tr><td>0 PLC</td><td>± -</td></tr> <tr><td>1 PLC</td><td>± -</td></tr> <tr><td>2 PLC</td><td>± 0.13[.005]</td></tr> <tr><td>3 PLC</td><td>± -</td></tr> <tr><td>4 PLC</td><td>± -</td></tr> <tr><td>ANGLES</td><td>± -</td></tr> <tr><td>FINISH</td><td>SEE TABLE</td></tr> </table> | 0 PLC | ± - | | 1 PLC | ± - | 2 PLC | ± 0.13[.005] | 3 PLC | ± - | 4 PLC | ± - | ANGLES | ± - | FINISH | SEE TABLE | <table border="1"> <tr><td>CHK J.GESFORD 20-7-94</td></tr> <tr><td>APVD J.GESFORD 20-7-94</td></tr> <tr><td>PRODUCT SPEC 108-25034</td></tr> <tr><td>APPLICATION SPEC 114-25026</td></tr> <tr><td>WEIGHT -</td></tr> </table> | CHK J.GESFORD 20-7-94 | APVD J.GESFORD 20-7-94 | PRODUCT SPEC 108-25034 | APPLICATION SPEC 114-25026 | WEIGHT - | <table border="1"> <tr><td>NAME</td><td>HDR ASSY, VERT, SINGLE ROW</td></tr> <tr><td></td><td>2.54[.100]CL, 0.64[.025] SQ POST, WITH PLZN, AMPMODU MTE</td></tr> <tr><td>SIZE</td><td>A2</td></tr> <tr><td>CAGE CODE</td><td>00779</td></tr> <tr><td>DRAWING NO</td><td>C=104912</td></tr> <tr><td>RESTRICTED TO</td><td>-</td></tr> </table> | NAME | HDR ASSY, VERT, SINGLE ROW | | 2.54[.100]CL, 0.64[.025] SQ POST, WITH PLZN, AMPMODU MTE | SIZE | A2 | CAGE CODE | 00779 | DRAWING NO | C=104912 | RESTRICTED TO |
| 0 PLC | ± - | | | | | | | | | | | | | | | | | | | | | | | | | | | | | | | | |
| 1 PLC | ± - | | | | | | | | | | | | | | | | | | | | | | | | | | | | | | | | |
| 2 PLC | ± 0.13[.005] | | | | | | | | | | | | | | | | | | | | | | | | | | | | | | | | |
| 3 PLC | ± - | | | | | | | | | | | | | | | | | | | | | | | | | | | | | | | | |
| 4 PLC | ± - | | | | | | | | | | | | | | | | | | | | | | | | | | | | | | | | |
| ANGLES | ± - | | | | | | | | | | | | | | | | | | | | | | | | | | | | | | | | |
| FINISH | SEE TABLE | | | | | | | | | | | | | | | | | | | | | | | | | | | | | | | | |
| CHK J.GESFORD 20-7-94 | | | | | | | | | | | | | | | | | | | | | | | | | | | | | | | | | |
| APVD J.GESFORD 20-7-94 | | | | | | | | | | | | | | | | | | | | | | | | | | | | | | | | | |
| PRODUCT SPEC 108-25034 | | | | | | | | | | | | | | | | | | | | | | | | | | | | | | | | | |
| APPLICATION SPEC 114-25026 | | | | | | | | | | | | | | | | | | | | | | | | | | | | | | | | | |
| WEIGHT - | | | | | | | | | | | | | | | | | | | | | | | | | | | | | | | | | |
| NAME | HDR ASSY, VERT, SINGLE ROW | | | | | | | | | | | | | | | | | | | | | | | | | | | | | | | | |
| | 2.54[.100]CL, 0.64[.025] SQ POST, WITH PLZN, AMPMODU MTE | | | | | | | | | | | | | | | | | | | | | | | | | | | | | | | | |
| SIZE | A2 | | | | | | | | | | | | | | | | | | | | | | | | | | | | | | | | |
| CAGE CODE | 00779 | | | | | | | | | | | | | | | | | | | | | | | | | | | | | | | | |
| DRAWING NO | C=104912 | | | | | | | | | | | | | | | | | | | | | | | | | | | | | | | | |
| RESTRICTED TO | - | | | | | | | | | | | | | | | | | | | | | | | | | | | | | | | | |
| MATERIAL: HOUSING: FLAME RETARDANT THERMOPLASTIC COLOR - BLACK CONTACTS: BRASS | SEE TABLE | CUSTOMER DRAWING | SCALE 4:1 SHEET 1 OF 1 REV F | | | | | | | | | | | | | | | | | | | | | | | | | | | | | | |